



**Hodge Clemco Ltd**

**Portable Abrasive  
Blast Cleaning Machines  
2452/2040/1440/1028**

**Parts Identification  
Owner's Manual**

Date of Issue: 20.02.18 TSOM267B

Hodge Clemco Ltd  
Orgreave Drive  
Sheffield  
S13 9NR  
Tel: 0114 254 8811  
Email [sales@hodgeclemco.co.uk](mailto:sales@hodgeclemco.co.uk)  
[www.hodgeclemco.co.uk](http://www.hodgeclemco.co.uk)

# Machinery Directive

(2006/42/EC)

## EC Declaration of Conformity

We HODGE CLEMCO LTD declare that the supplied equipment when installed and used in accordance with the owner's manual provided, conforms with the essential health and safety requirements of the above Directive(s)



Engineering Manager

Managing director



## MAINTENANCE INSPECTION CONTRACT

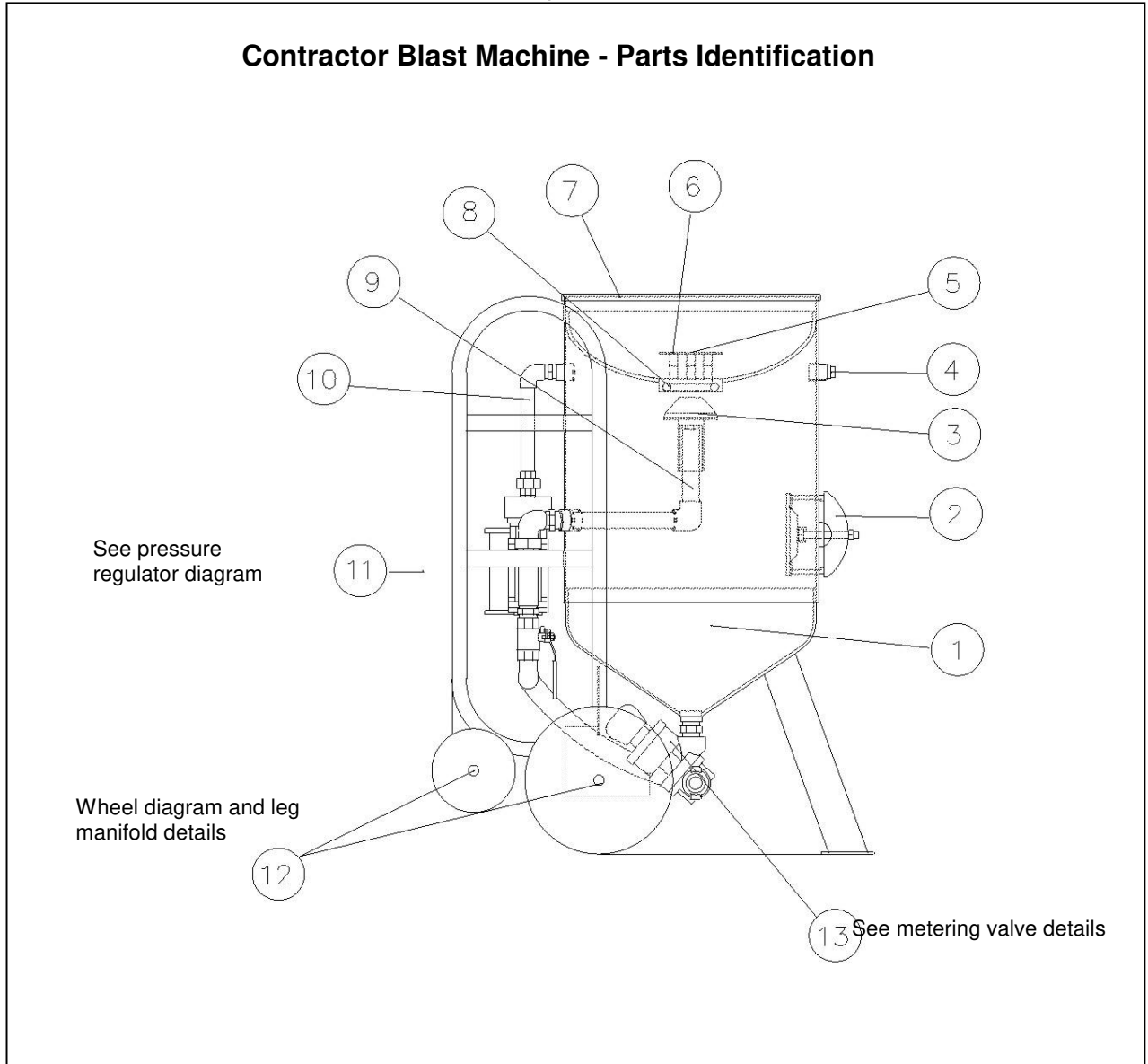
In response to numerous requests we are now able to offer a Maintenance Inspection Contract for your Clemco Equipment.

These requests have been made by customers who appreciate the benefits of regular inspection/servicing on a planned basis. The remedial work that follows a breakdown or worse, the need for early equipment replacement due to accelerated wear may easily exceed the cost of a Maintenance Inspection Contract. If you would like further details please contact our Customer Services Department on 0114 2548811

A request for more information does not represent any form of commitment on your behalf, so can you afford to say 'NO' at this stage?

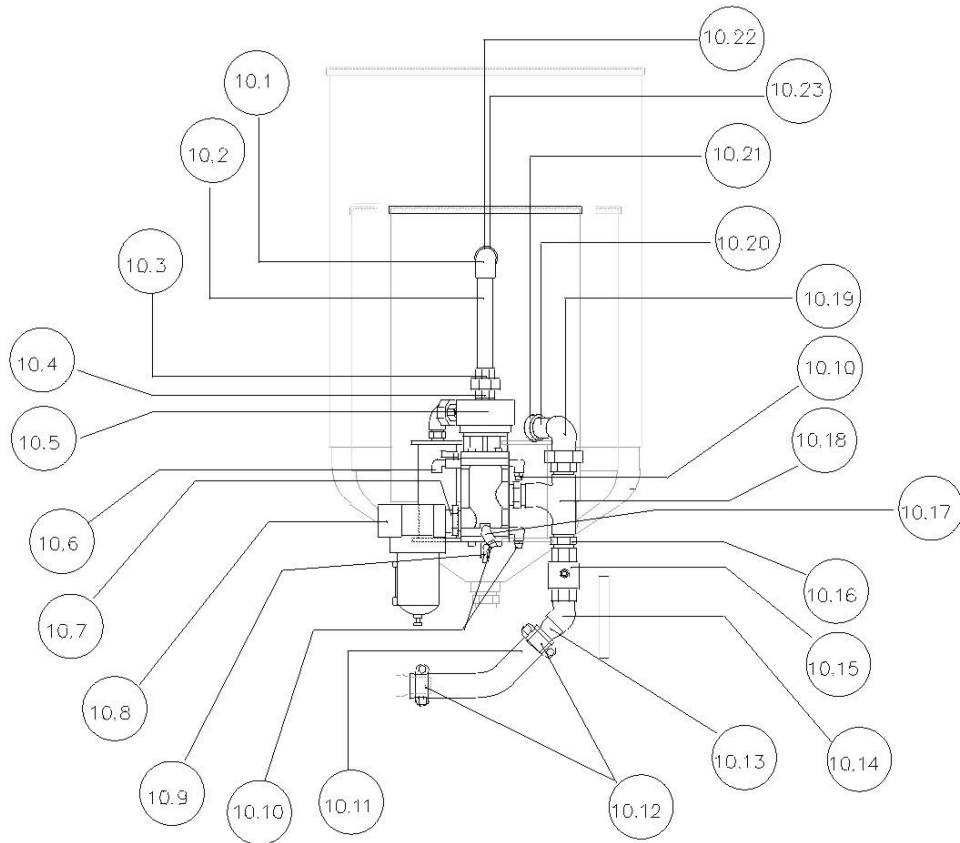
We look forward to hearing from you soon.

## Contractor Blast Machine - Parts Identification

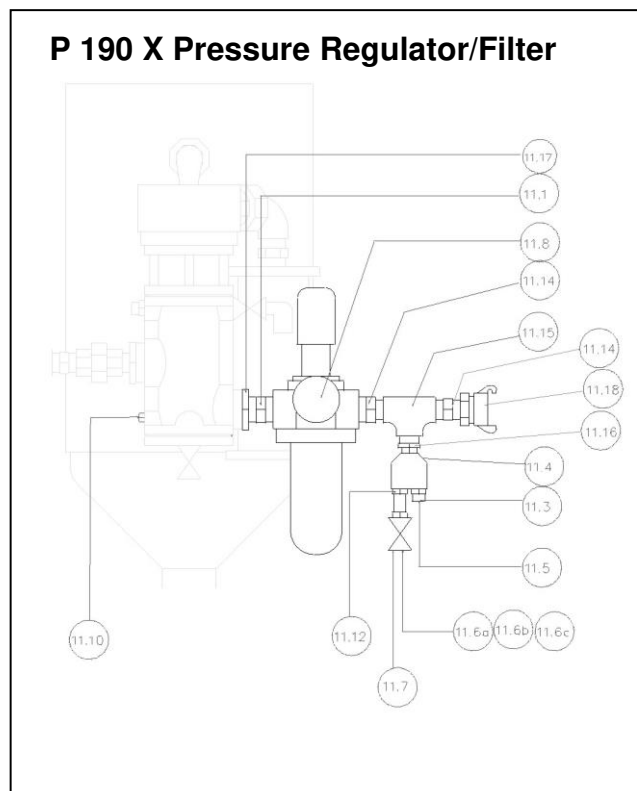
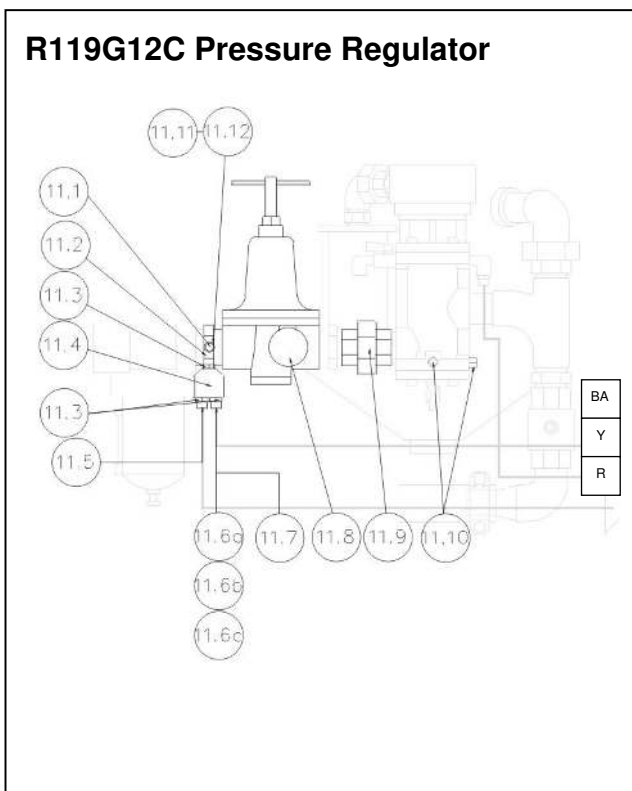


| No | Part Description   | 2452       | 2040       | 1440       | 1028        |
|----|--|------------|------------|------------|-------------|
| 1  | Contractor shell   | 2452 NC SH | 2040 NC SH | 1440 NC SH | 1028 NC SH  |
| 2  | Inspection door assembly                                 | PNC 10     | PNC 10     | PNC 10     | MP 6 18     |
| 3  | Pop up valve assembly                                    | PNC 22     | PNC 22     | PNC 22     | CMP 2       |
| 4  | Plug   | P 71G      | P71G       | P71G       | MP 32G      |
| 5  | Screw  | FAS M8 73A | FAS M8 73A | FAS M8 73A | FAS M10 11A |
| 6  | Umbrella   | PNC 23     | PNC 23     | PNC 23     |             |
| 7  | Safety Edging Trim                                       | P 25       | P25        | P25        | P25         |
| 8  | Sealing Ring   | P 5        | P 5        | P 5        | MP 5        |
| 9  | Pop up valve stem  | PNC 38     | PNC 36     | PNC 32     |             |
| 10 | Piping details - see page 4                              |            |            |            |             |
| 11 | Pressure Regulator and leg manifold details - see page 5 |            |            |            |             |
| 12 | Wheels and leg manifold details - see page 6             |            |            |            |             |
| 13 | Abrasive metering valve – see pages 7 - 8                |            |            |            |             |

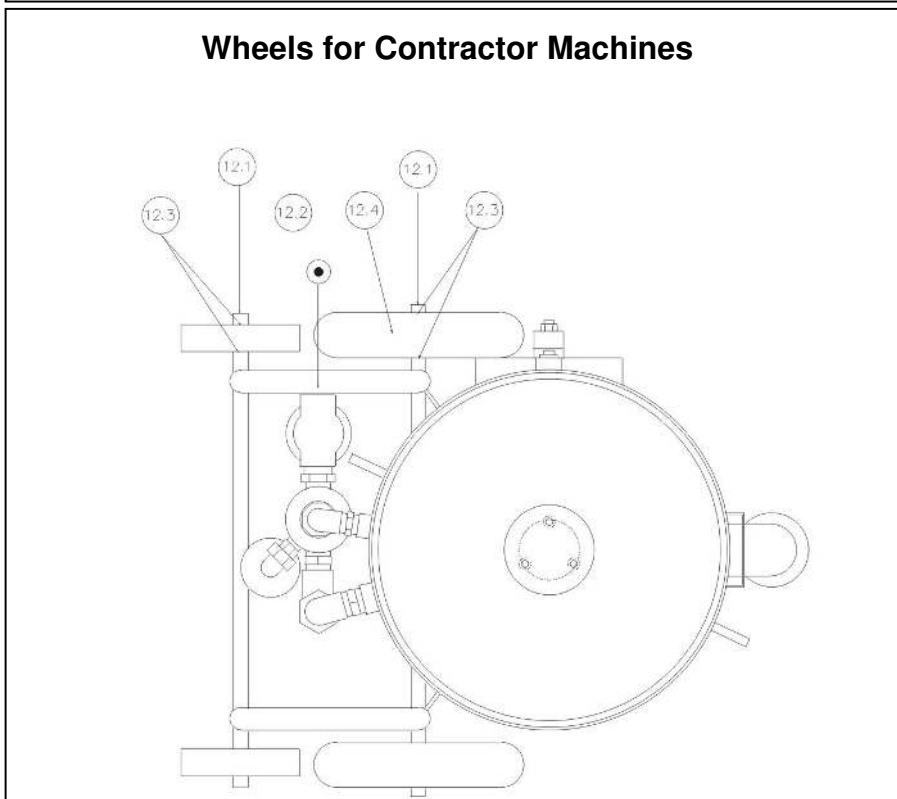
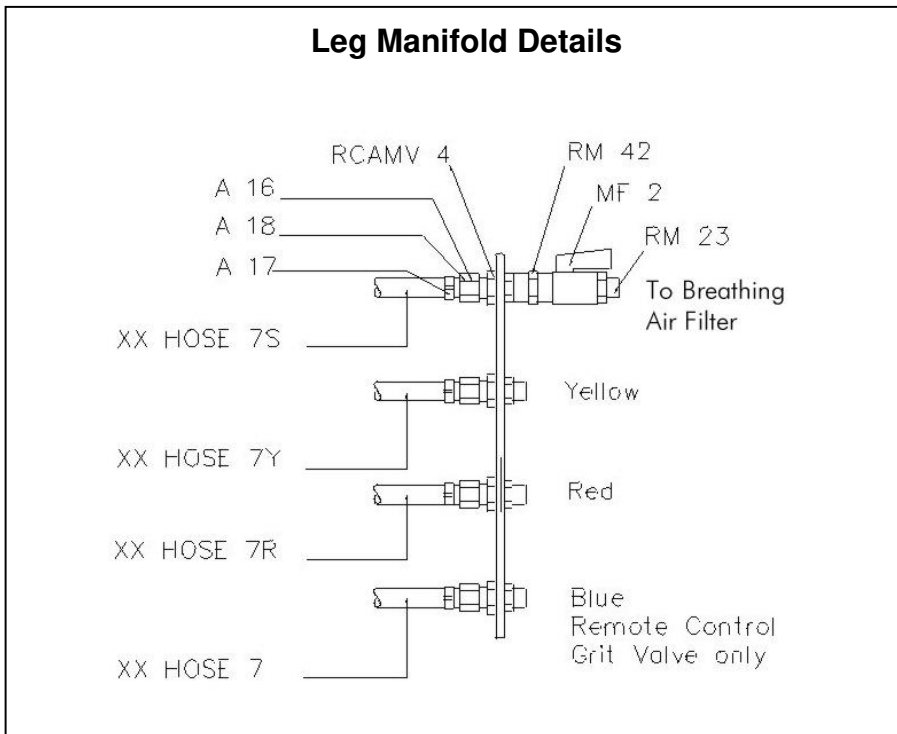
## Piping Details



| Piping Details |                         | 2452       | 2040       | 1440       | 1028       |
|----------------|-------------------------|------------|------------|------------|------------|
| 10.1           | Elbow                   | P 86       | P86        | P86        | MP 20 G    |
| 10.2           | Pipe                    | PNC 28     | PNC 17     | PNC 45     |            |
| 10.3           | Union                   | P 56       | P 56       | P 56       | MP 17 G    |
| 10.4           | Nipple                  | P 98       | P 98       | P 98       | PI 65 G    |
| 10.5           | Recova valve & silencer | RMS 100D   | RMS 100D   | RMS 100D   | RMS 100D   |
| 10.6           | Petcock                 | RM9        | RM9        | RM9        | RM 9       |
| 10.7           | Nipple                  | P 63       | P 63       | P 63       | P 93 G     |
| 10.8           | Water Separator         | P 23X      | P 23X      | P 23X      | MP 14 8 X  |
| 10.9           | Tap                     | MF 2       | MF 2       | MF 2       | MF 2       |
| 10.10          | Adaptor                 | RM 23      | RM 23      | RM 23      | RM 23      |
| 10.11          | Blast Hose              | XX HOSE 4C | XX HOSE 4C | XX HOSE 4C | XX HOSE 1  |
| 10.12          | Clamp                   | HD 004     | HD 004     | HD 004     | BW 8       |
| 10.13          | Adaptor                 | STC 15     | STC 15     | STC 15     | CAB A3 S   |
| 10.14          | Elbow                   | PNC 15     | PNC 15     | PNC 15     | MP 20 G    |
| 10.15          | Valve                   | P 21       | P 21       | P 21       | MP 1       |
| 10.16          | Nipple                  | PN 2G      | PN 2G      | PN 2G      | MP 15 G    |
| 10.17          | Elbow                   | RCAMV 8    | RCAMV 8    | RCAMV 8    | RCAMV 8    |
| 10.18          | Tee Pitcher             | PNC 14     | PNC 14     | PNC 14     | MP 23 G    |
| 10.19          | Elbow Union             | PNC 13     | PNC 13     | PNC 13     |            |
| 10.20          | Pipe                    |            | PNC 32     | PNC 32     | XX PIPE 1G |
| 10.21          | Nipple                  | PN 2       |            |            |            |
| 10.22          | Nipple                  | P 3        | P 3        | P 3        | MP 15G     |
| 10.23          | Union                   |            |            |            | MP 17G     |



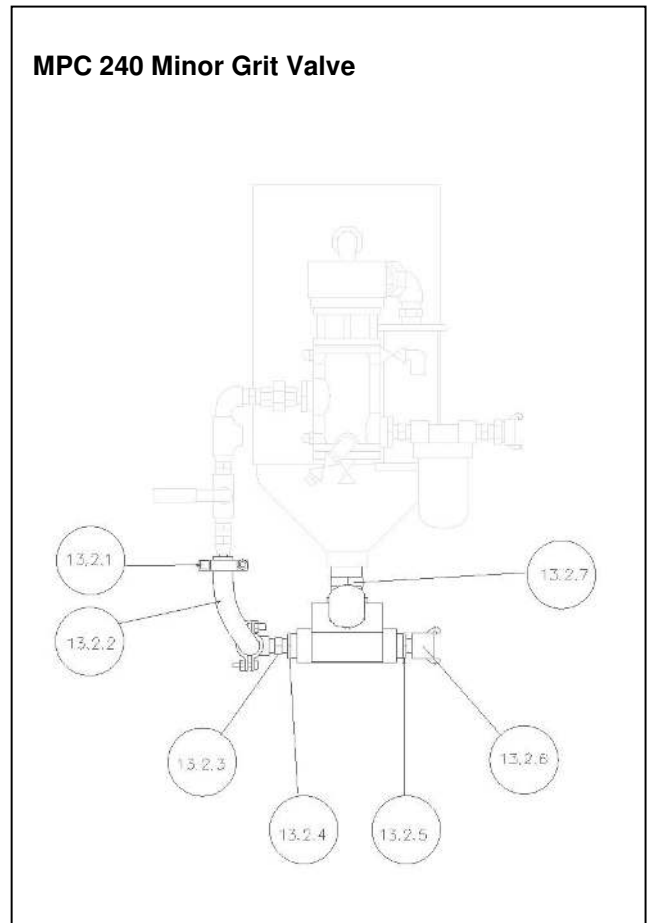
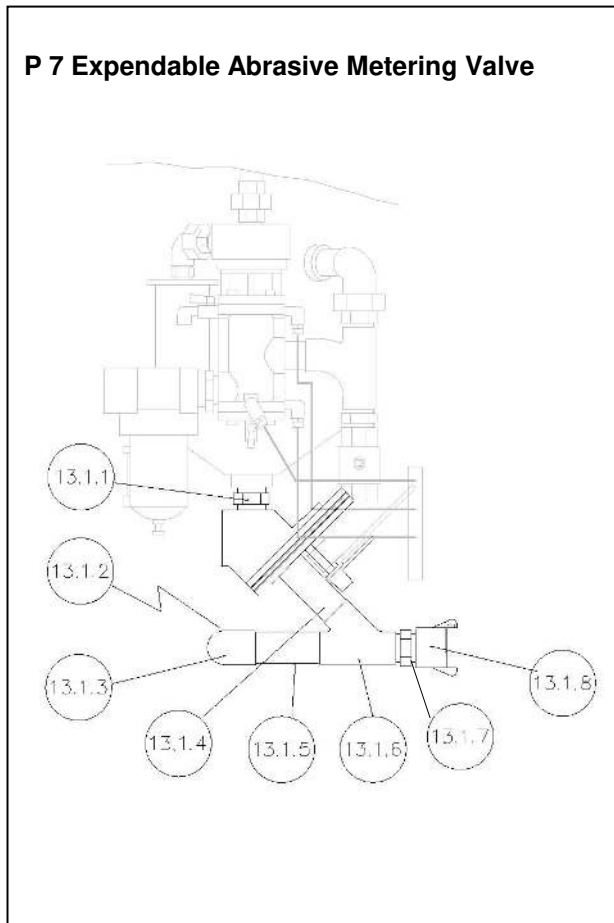
|                           |                            | <b>2452</b>          | <b>2040</b>         | <b>1440</b>          | <b>1028</b>         |
|---------------------------|----------------------------|----------------------|---------------------|----------------------|---------------------|
| <b>11</b>                 | <b>Pressure Regulator</b>  | R119G12C             | R119G12C            | R119G12C             | P 190 X             |
| <b>11.1</b>               | Nipple                     | P 62A                | P 62 A              | P 62A                | RM 11A              |
| <b>11.2</b>               | Elbow                      | RCAMV 7              | RCAMV 7             | RCAMV 7              |                     |
| <b>11.3</b>               | Adaptor                    | RM 23                | RM 23               | RM 23                | RM 23               |
| <b>11.4</b>               | Twin Block                 | RCAMV 7              | RCAMV 7             | RCAMV 7              | RCAMV 7             |
| <b>11.5</b>               | Air Hose<br>(Red) (Yellow) | XX HOSE 7<br>(R) (Y) | XX HOSE 7<br>(R)(Y) | XX HOSE 7<br>(R) (Y) | XX HOSE 7<br>(R)(Y) |
| <b>11.6a</b>              | Tailpiece                  | A 16                 | A 16                | A 16                 | A 16                |
| <b>11.6b</b>              | 'O' Clip                   | A 17                 | A 17                | A 17                 | A 17                |
| <b>11.6c</b>              | Union Nut                  | A 18                 | A 18                | A 18                 | A 18                |
| <b>11.7</b>               | Breathing Air Hose         | XX HOSE 7S           | XX HOSE 7S          | XX HOSE 7S           | XX HOSE 7S          |
| <b>11.8</b>               | Air Pressure Gauge         | CAP S9               | CAP S9              | CAP S9               | KB 11               |
| <b>11.9</b>               | Union                      | P 124                | P124                | P124                 |                     |
| <b>11.10</b>              | Plug                       | MP 40A               | MP 40A              | MP 40A               | MP 40A              |
| <b>11.11</b>              | Seal                       | KB 916               | KB 916              | KB 916               |                     |
| <b>11.12</b>              | Bulkhead Adaptor           | RCAMV 4              | RCAMV 4             | RCAMV 4              | RCAMV 4             |
| <b>11.13</b>              | Tap                        |                      |                     |                      | MF 2                |
| <b>11.14</b>              | Nipple                     |                      |                     |                      | P165 G              |
| <b>11.15</b>              | Tee                        |                      |                     |                      | MP 23G              |
| <b>11.16</b>              | Bush                       |                      |                     |                      | P 211G              |
| <b>11.17</b>              | Bulkhead Adaptor           |                      |                     |                      | P 99G               |
| <b>11.18</b>              | Coupling                   |                      |                     |                      | BW2                 |
| For older style machines: |                            |                      |                     |                      |                     |
| Pressure Regulator        |                            | P 20                 | P 20                | P 20                 | MP 149              |



| 12   | Wheels     | 2452        | 2040        | 1440        | 1028        |
|------|------------|-------------|-------------|-------------|-------------|
| 12.1 | Cotter Pin | P 6A        | P 6A        | P 6A        | MP 46       |
| 12.2 | Wheel      | PNC 26      |             |             |             |
| 12.3 | Washer     | FAS 16BSW80 | FAS 16BSW80 | FAS 16BSW80 | FAS M12 84A |
| 12.4 | Wheel      | P 18 14     | PNC 12      | P 18 8      | MP 11       |

## 13 Abrasive Metering Valves

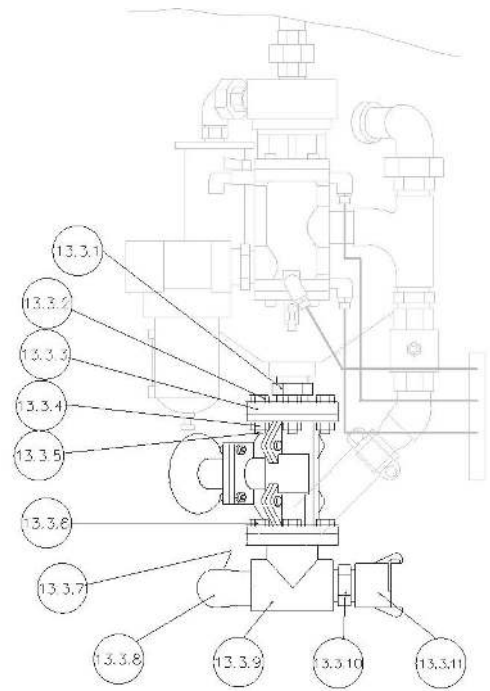
|             |                                    |             |             |             |             |
|-------------|------------------------------------|-------------|-------------|-------------|-------------|
| <b>13</b>   | <b>Abrasive Metering Valve</b>     | <b>2452</b> | <b>2040</b> | <b>1440</b> | <b>1028</b> |
| <b>13.1</b> | Expendable Abrasive Metering Valve | P7          | P7          | P7          | MP7         |
| <b>13.2</b> | Minor Grit Valve                   |             |             |             | MPC 240     |
| <b>13.3</b> | Steel Grit Valve                   | P17         | P17         | P17         | MP8SG       |
| <b>13.4</b> | Remote Control Valve               | IND 11096   | IND 11096   | IND 11096   |             |



| <b>P7</b>     | <b>Expendable Abrasive Metering Valve</b> | <b>MPC 2 40</b> | <b>Minor Grit Valve</b> |               |
|---------------|---|-----------------|-------------------------|---------------|
| <b>13.1.1</b> | Nipple                                    | P 8A 6          | <b>13.2.1</b>           | Clamp & Bolts |
| <b>13.1.2</b> | Adaptor                                   | STC 15          | <b>13.2.2</b>           | Hose          |
| <b>13.1.3</b> | Elbow                                     | P 68            | <b>13.2.3</b>           | Nipple        |
| <b>13.1.4</b> | Baffle Grit Pipe                          | P 29            | <b>13.2.4</b>           | Bush          |
| <b>13.1.5</b> | Pipe                                      | P 65            | <b>13.2.5</b>           | Nipple        |
| <b>13.1.6</b> | Y piece                                   | P 8             | <b>13.2.6</b>           | Coupling      |
| <b>13.1.7</b> | Nipple                                    | P 8A            | <b>13.2.7</b>           | Nipple        |
| <b>13.1.8</b> | Coupling                                  | P 9             |                         |               |

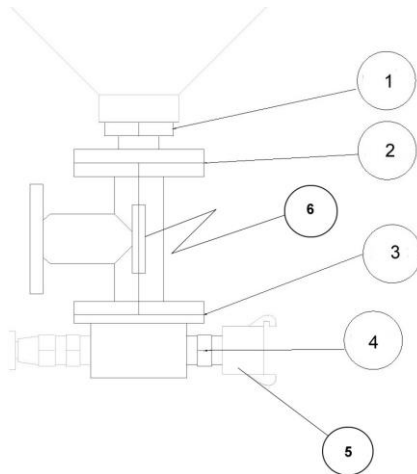
### 13.3 P17 Steel Grit Valve

|         |                    |             |
|---------|--------------------|-------------|
| 13.3.1  | Nipple             | P 8A 6S     |
| 13.3.2  | Bolt               | FAS 8BSW 3  |
| 13.3.3  | Upper Flange       | SGV 2       |
| 13.3.4  | Washer             | FAS 8BSW 80 |
| 13.3.5  | Nut                | FAS 8BSW 90 |
| 13.3.6  | Set Screw          | FAS 8BSW 11 |
| 13.3.7  | Adaptor            | STC 15      |
| 13.3.8  | Elbow              | P 28        |
| 13.3.9  | Lower Flange & Tee | RCAMV 2     |
| 13.3.10 | Nipple             | P 8A        |
| 13.3.11 | Coupling           | P 9         |

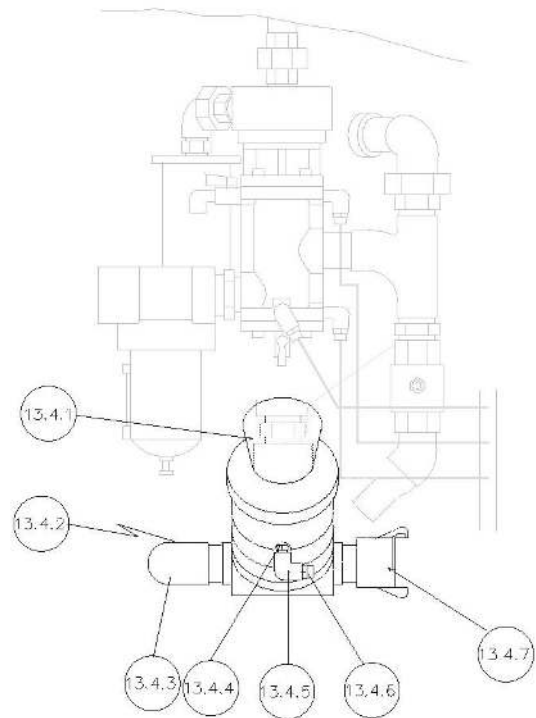


### MP 8SG Steel Grit Valve for 1028

|   |               |        |
|---|---------------|--------|
| 1 | Nipple        | P 249  |
| 2 | Upper Flange  | MSGV 2 |
| 3 | Lower Flange  | MSGV 1 |
| 4 | Nipple        | MP146  |
| 5 | Coupling      | MP9    |
| 6 | Rubber Sleeve | MSGV3  |
| 7 | Split Pin     | MP46   |



|        |          |         |
|--------|----------|---------|
| 13.4.1 | Nipple   | P 8A 6S |
| 13.4.2 | Adaptor  | STC 15  |
| 13.4.3 | Elbow    | RM 68   |
| 13.4.4 | Nipple   | RM 69   |
| 13.4.5 | Elbow    | RM 67   |
| 13.4.6 | Adaptor  | RCAMV 9 |
| 13.4.7 | Coupling | P 9     |



### 13.4 IND 11096 Remote Control Valve